

# Eaton SB561571}210CLTG

Catalog Number: SB561571/210CLTG

Eaton B-Line series open frame racks, ASTM A1011CS steel, Telco gray powder coat, open end spacer box, Used for creating a wider cable duct between unequal equipment racks

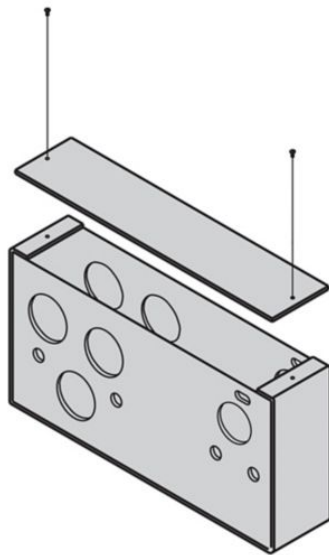


Photo is representative

## General specifications

Product Name	Catalog Number
Eaton B-Line series open frame racks	SB561571/210CLTG
UPC	Product Length/Depth
799038221500	10 in
Product Height	Product Width
10 in	7.5 in
Product Weight	Certifications
11.9 lb	Not Applicable

## defaultTaxonomyAttributeLabel

### Finish

Telco gray powder coat

### Material

Steel

### Model

Spacer box

## Resources

### Brochures

[RCM and RCM+ brochure](#)

### Specifications and datasheets

[Eaton Specification Sheet - SB561571/210CLTG](#)



Eaton Corporation plc  
Eaton House  
30 Pembroke Road  
Dublin 4, Ireland  
Eaton.com  
© 2024 Eaton. All Rights Reserved.

Eaton is a registered trademark.

All other trademarks are property of their respective owners.



[Eaton.com/socialmedia](https://Eaton.com/socialmedia)